

# PHYSICAL SETTING PHYSICS

Wednesday, June 13, 2012 — 1:15 to 4:15 p.m., only

## ANSWER BOOKLET

Student ..... Sex:  Male  
 Female  
Teacher .....  
School ..... Grade .....

**Record your answers for Part B-2 and Part C in this booklet.**

### Part B-2

51 \_\_\_\_\_ N/m

52-53

54-55

**56-57**

---

---

**58-59**

**60–61**

**62–63**

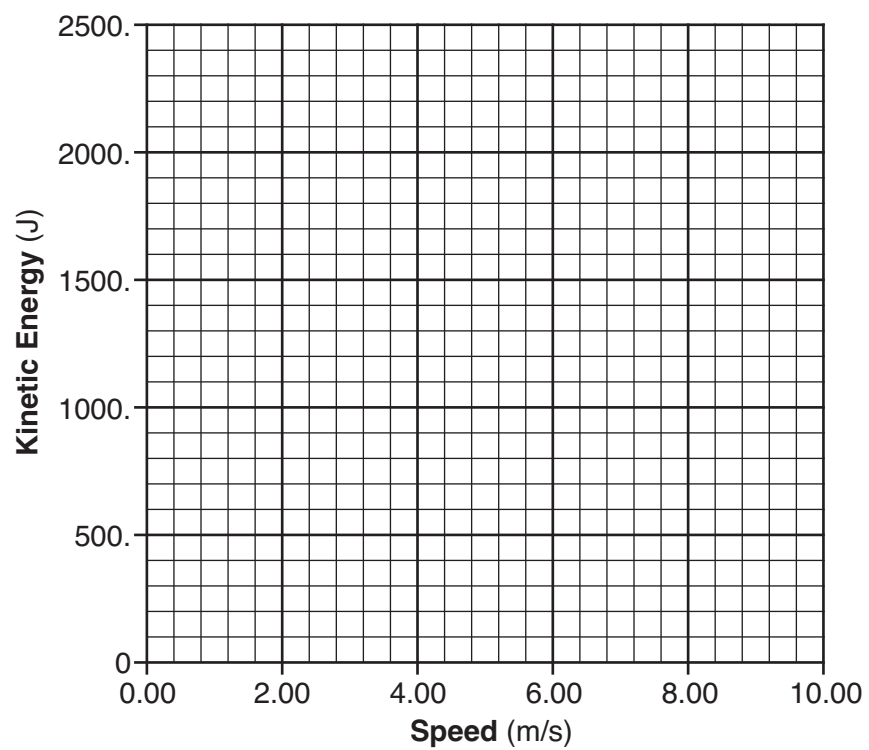
**64** \_\_\_\_\_ **m**

**65** \_\_\_\_\_ **m**

**Part C**

66–67

**Kinetic Energy vs. Speed**



68–69

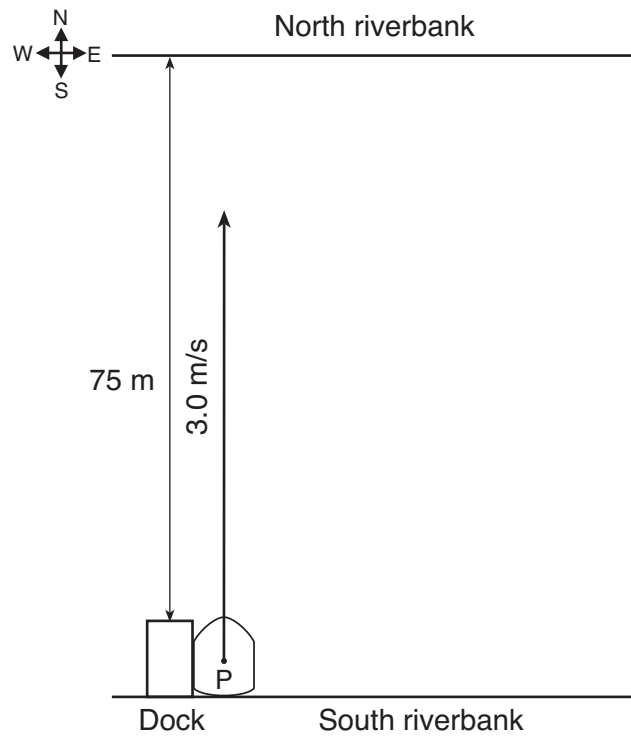
70

---

---

71-72

73

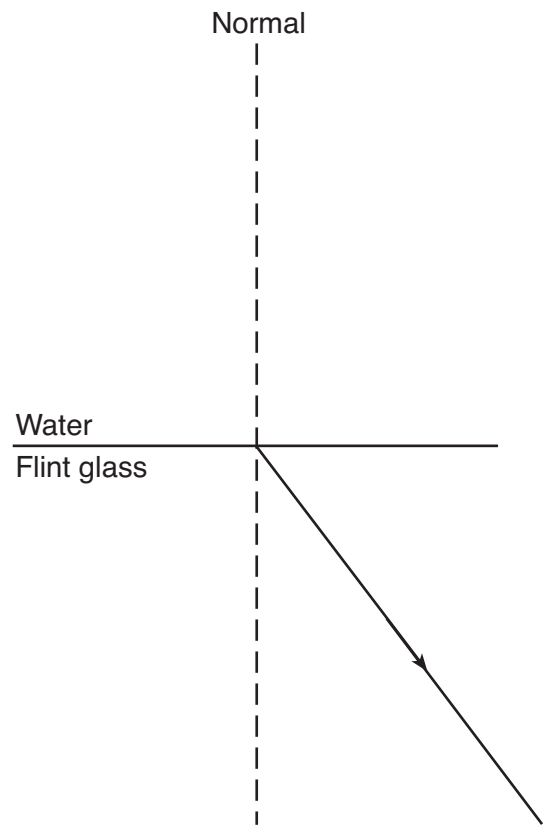


74-75

76 \_\_\_\_\_ °

77-78

79



80 \_\_\_\_\_  
\_\_\_\_\_

81 \_\_\_\_\_

82 \_\_\_\_\_ e

83 \_\_\_\_\_ J

84-85

